









HEAVY DUTY CONNECTORS

Content

General guide	
Product overview	
	HA(10A/16A/250V) series connectors 01
	HD/HDD(10A 250V) series connectors 02
	HE/HEE/HEEE/HVE(16A 500V) series connectors 03
	HSB(35A 690V) series connectors 04
	HQ(16A 400V) series connectors 05
	HDAV/HEAV (Extend insert) series connectors 06
	HMN modular series connectors 07
	HK/HWK series combine connectors 08
	HTK,HCM series(200A,350A,650A) connectors 09
Hoods and Housings	HA/HB series shells(IP65,IP68) 10
Inserts mounting elements	Tools and inserts and rail mounting elements 11
Accessories	Cable glands, enclosures and accessories 12

General overview of heavy duty connectors

General features	<p>Heavy duty connector is suitable for use with alternate or direct connection, it provides lots of facilities for installation and maintenance in complex machinery.</p> <p>Heavy duty connector is widely used in electric machinery manufacture control equipment and where electric connection is required for power and signaling circuits.</p>
Inserts	<p>Heavy duty connector includes three elements; inserts, hood/housing and accessories.</p> <p>The inserts are made of self-extinguishing resin UL94 V0, normally used for applications in a maximum ambience temperature of 125°C. The special versions for use with a maximum ambience temperature of 180°C are made of PPS. Different conductor connection techniques are available, screw connection, crimp connection or cage clamp connection.</p>
Enclosures	<p>The enclosures are made in die cast aluminum alloy with a coating of epoxy-polyester powder or in self-extinguishing thermo plastic (special series). There are resistant to impacts and strong mechanical stress. Sealing is assured by special gaskets that protect the contact groups inside the enclosures against dust and aggressive agents. In general, the coupled enclosures with the appropriate connections guarantee an IP65 (EN60529) degree of protection.</p> <p>Accessories include some different cable gland and different hoods/housings. The special enclosures provide the solution to most diverse installation needs.</p>
Customized design	<p>For customer's special requirement, we can provide customized design, please contact us.</p>
Specifications, Standard and approvals	<p>1. Specifications</p> <ul style="list-style-type: none">VDE 0110 Concerning clearance and creepage distancesVDE 0627 Connectors and plug devices <p>2. Standard</p> <ul style="list-style-type: none">DIN EN 175 301-801DIN EN 60664-1DIN EN 61 984 <p>3. Approvals</p> <p>     </p>

How to order

For a complete connector components may be order from the following sub headings.

- Male insert

Male insert with screw terminal/crimp terminal/spring terminal /rolled contacts terminal/axial screw terminal/rapid terminal.

- Female insert

Male insert with screw terminal/crimp terminal/spring terminal /rolled contacts terminal/axial screw terminal/rapid terminal.

- Hoods

Hoods with low or high construction, side or top cable entry , 2 or 4 bolts, 1 or 2 locking levers.

- Housings

Bulkhead mounting housings with or without protection cover, 1 or 2 locking levers.

Surface mounting housings with low or high construction,with or without protection cover , 2 or 4 bolts, 1 or 2 locking levers, 1 or 2 cable entries.

- Cable entry protection

Cable glands with normal or multiple sealing.

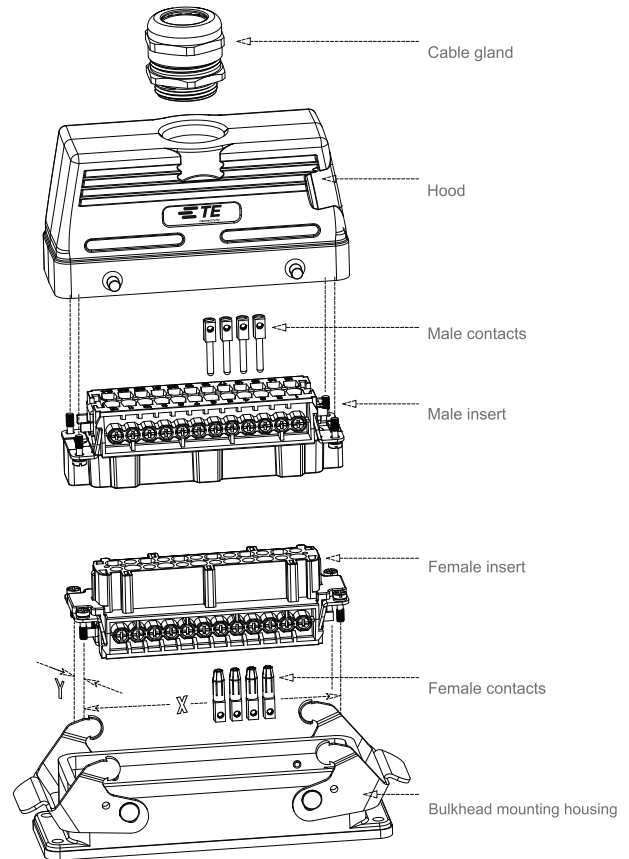
Metal or plastic cable glands.

Special cable entry protection or extensive range of accessories.

- Accessories

Protection cover available, code and guide pins for coding.

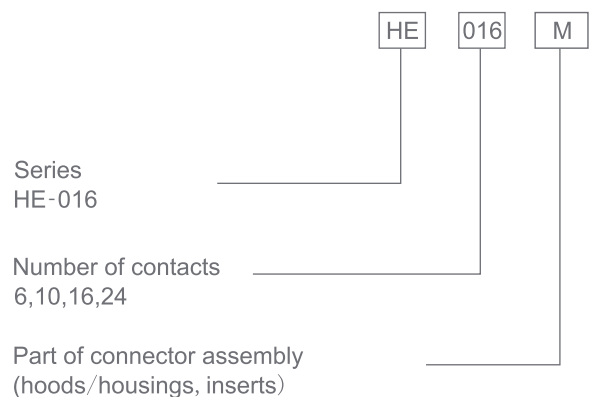
Inserts fixing screws for use without hoods and housings.



Our computerize ordering system uses the following code

HE-016

i.e. Order No. of 16-poles contact male insert



Selection guide

Technical information of inserts

Insert	Type	Poles	Current	Voltage	Terminal	Contacts	Shells
HA	HA-003	3+PE	10A	250 V	screw	-	H3A
	HA-004	4+PE	10A	250 V	screw	-	H3A
	HA-010	10+PE	16A	250 V	screw crimp	CEM/F(16A)	H10A
	HA-016	16+PE	16A	250 V		DEM/F(16A)	H16A
	HA-032	32+PE	16A	250 V		H32A	
	HAS-003	3+PE	10A	400 V	spring	-	H3A
	HAS-004	4+PE	10A	400 V	spring	-	H3A
Insert	Type	Poles	Current	Voltage	Terminal	Contacts	Shells
HE	HE-006	6+PE	16A	500 V	screw spring crimp rapid Double spring	CEM/F (16A) DEM/F (16A)	H6B
	HE-010	10+PE	16A	500 V			H10B
	HE-016	16+PE	16A	500 V			H16B
	HE-024	24+PE	16A	500 V			H24B
	HE-032	32+PE	16A	500 V			H32B
	HE-048	48+PE	16A	500 V			H48B
Insert	Type	Poles	Current	Voltage	Terminal	Contacts	Shells
HVE	HVE-003	3+PE+2	16A	830 V	screw	-	H10B
	HVE-006	6+PE+2	16A	830 V		-	H16B
	HVE-010	10+PE+2	16A	830 V		-	H24B
Insert	Type	Poles	Current	Voltage	Terminal	Contacts	Shells
HEE	HEE-010	10+PE	16A	500 V	crimp	CEM/F(16A) DEM/F(16A)	H6B
	HEE-018	18+PE	16A	500 V			H10B
	HEE-032	32+PE	16A	500 V			H16B
	HEE-046	46+PE	16A	500 V			H24B
	HEE-064	64+PE	16A	500 V			H32B
	HEE-092	92+PE	16A	500 V			H48B
Insert	Type	Poles	Current	Voltage	Terminal	Contacts	Shells
HEEE	HEEE-015	15+PE	16A	200 V	crimp	CEM/F(16A) DEM/F(16A)	无/No
	HEEE-020	20+PE	16A	400 V			H6B
	HEEE-032	32+PE	16A	400 V			H10B
	HEEE-040	40+PE	16A	400 V			H16B
	HEEE-048	48+PE	16A	400 V			H16B
	HEEE-064	64+PE	16A	400 V			H24B
	HEEE-072	72+PE	16A	400 V			H24B
	HEEE-080	80+PE	16A	400 V			H32B
	HEEE-096	96+PE	16A	400 V			H32B
	HEEE-128	128+PE	16A	400 V			H48B
HEEE-144	144+PE	16A	400 V	H48B			
Insert	Type	Poles	Current	Voltage	Terminal	Contacts	Shells
HD	HD-007	7+PE	10A	250 V	crimp Rolled contacts	CDM/F(10A) DDM/F(10A) CJM/F(10A)	H3A
	HD-008	8	10A	50 V			H3A
	HD-015	15+PE	10A	250 V			H10A
	HD-025	25+PE	10A	250 V			H16A
	HD-040	40+PE	10A	250 V			H16B
	HD-050	50+PE	10A	250 V			H32A
	HD-064	64+PE	10A	250 V			H24B
	HD-080	80+PE	10A	250 V			H32B
HD-128	128+PE	10A	250 V	H48B			

Selection guide

Technical information of inserts

Insert	Type	Poles	Current	Voltage	Terminal	Contacts	Shells
HDD	HDD-016	16+PE	10A	250 V	crimp Rolled contacts	CDM/F (10A) DDM/F (10A) CJM/F (10A)	H6B
	HDD-024	24+PE	10A	250 V			H6B
	HDD-042	42+PE	10A	250 V			H10B
	HDD-072	72+PE	10A	250 V			H16B
	HDD-108	108+PE	10A	250 V			H24B
	HDD-144	144+PE	10A	250 V			H32B
	HDD-216	216+PE	10A	250 V			H48B
Insert	Type	Poles	Current	Voltage	Terminal	Contacts	Shells
HSB	HSB-006	6+PE	35 A	690 V	screw	-	H16B
	HSB-012	12+PE	35 A	690 V	screw	-	H32B
Insert	Type	Poles	Current	Voltage	Terminal	Contacts	Shells
HEAV	HEAV-006	6+PE	16 A	500 V	screw spring	-	H6B
	HEAV-010	10+PE	16 A	500 V		-	H10B
	HEAV-016	16+PE	16 A	500 V		-	H16B
	HEAV-024	24+PE	16 A	500 V		-	H24B
Insert	Type	Poles	Current	Voltage	Terminal	Contacts	Shells
HDAV	HDAV-040	40+PE	10A	250 V	screw	-	H16B
	HDAV-064	64+PE	10A	250 V		-	H24B
Insert	Type	Poles	Current	Voltage	Terminal	Contacts	Shells
HK HKW	HKN-4/0	4+PE	80 A	690 V	Axial	-	H6B
	HK-4/0	4+PE	80 A	690 V	screw	-	H16B
	HK-4/2	4/2+PE	80/16A	690/400V	screw	-	H16B
	HK-4/8	4/8+PE	80/16 A	400/400V	screw	-	H24B
	HK-6/6	6/6+PE	100/16A	690/400V	Axial	-	H24B
	HK-8/0	8+PE	100A	690 V	Axial	-	H24B
	HK-6/12	6/12+PE	40/10 A	690/400 V	Axial	-	H16B
	HK-6/36	6/36+PE	40/10 A	690/250 V	crimp	CMM/F(40A) DMM/F (40A) CDM/F (10A) DDM/F (10A)	H16B
	HK-8/24	8/24+PE	16/10 A	400/250 V	crimp	CEM/F&DEM/F(16A) CDM/F&DDM/F(10A)	H10B
	HK-12/2	12/2+PE	40/10 A	500/250 V	crimp	CMM/F&DMM/F(40A) CDM/F&DDM/F(10A)	H16B
	HWK4/4	4/4+PE	40/16 A	690/400 V	screw	-	H10B
	HWK4/6	4/6+PE	40/16 A	690/400 V	screw	-	H16B
	HWK6/6	6/6+PE	40/16 A	690/400 V	screw	-	H16B
HWK3/6/6	3/6/6+PE	100/40/16A	690/690/400V	screw	-	H24B	
Insert	Type	Poles	Current	Voltage	Terminal	Contacts	Shells
HQ	HQ-005	5+PE	16 A	400 V	crimp	CEM/F&DEM/F(16A)	H3A
	HQ-007	7+PE	10 A	400 V	crimp	CDM/F&DDM/F(10A)	H3A
	HQ-008	8+PE	16 A	500 V	crimp	CEM/F&DEM/F(16A)	H8A
	HQ-017	17+PE	10 A	250 V	crimp	CDM/F&DDM/F(10A)	H8A
	HQ4/2	4/2	40/10A	690 V	crimp	CMM/F&DMM/F(40A) CDM/F&DDM/F(10A)	H8A
	HQ-012	12+PE	10 A	400 V	crimp	CDM/F&DDM/F(10A)	H3A
Insert	Type	Poles	Current	Voltage	Terminal	Contacts	Frame
HMN	HMN-001	1	200A	1000 V	crimp	CHM/F&DHM/F(200A)	H10AN-T1 H6BN-T2 H10BN-T3 H16BN-T4 H24BN-T6
	HMN-D2	2	100A	1000 V		Axial	
	HMN-S2	2	40 A	1000 V	Axial	CMM/F&DMM/F(40A)	
	HMN-002	2	70 A	1000V		-	
	HMN-003	3	40 A	690 V	crimp	CMM/F&DMM/F(40A)	
	HMN-004	4	40 A	830 V	crimp	CMM/F&DMM/F(40A)	

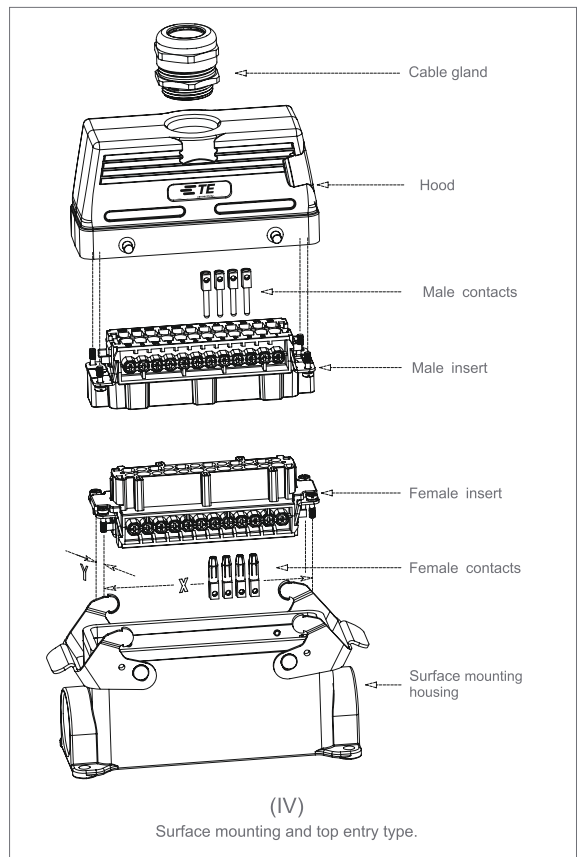
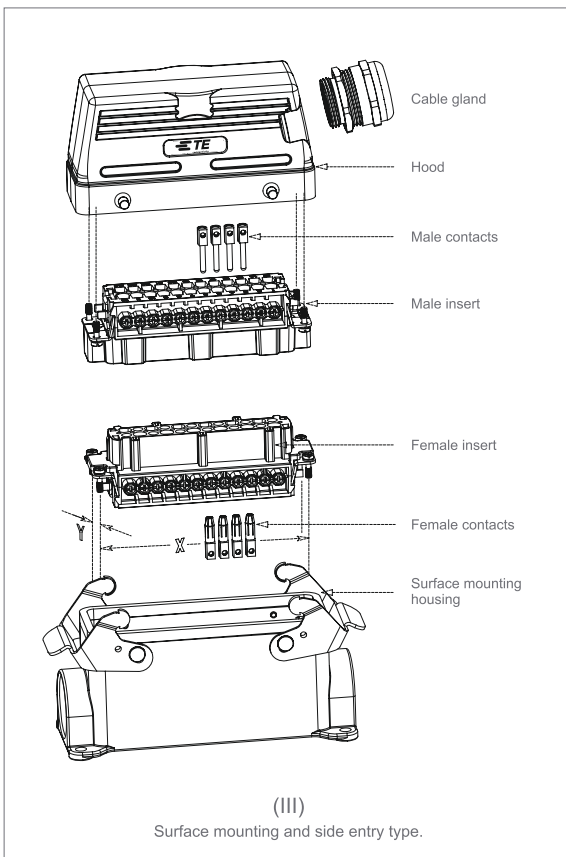
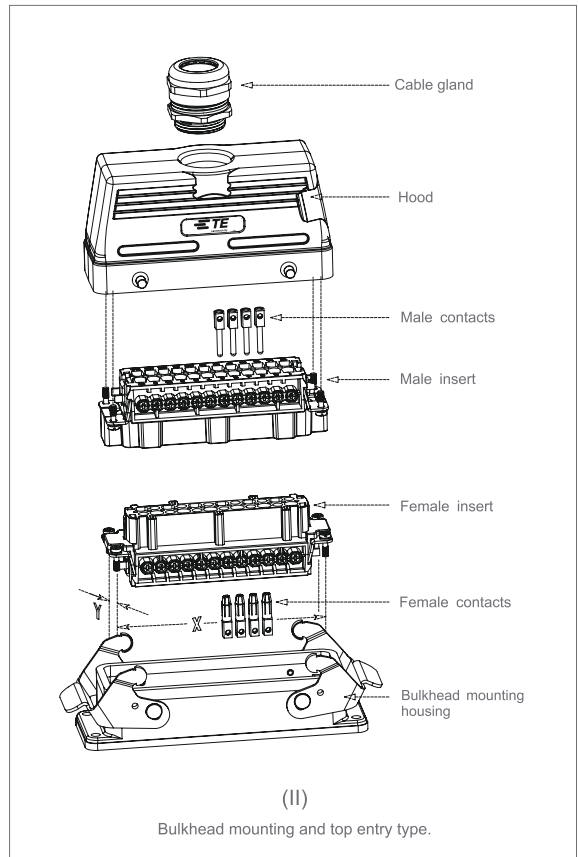
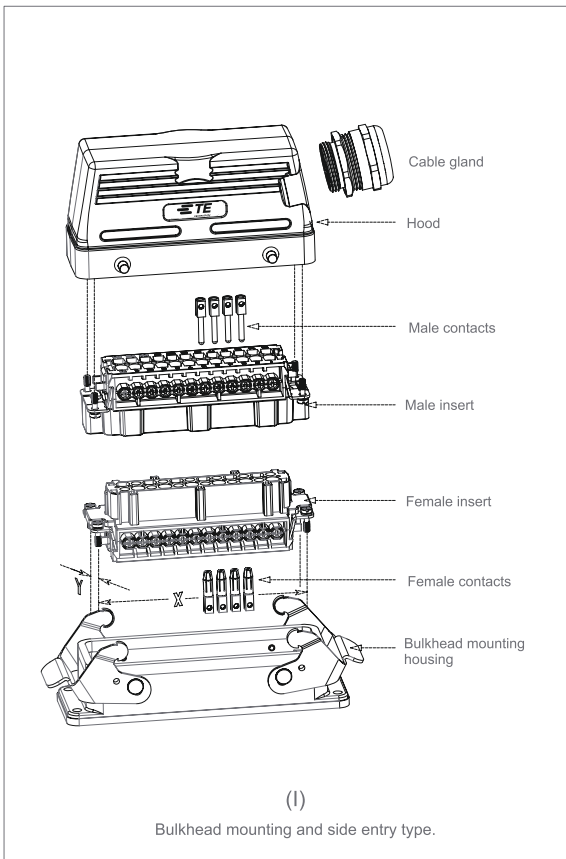
Selection guide

Technical information of inserts

Insert	Type	Poles	Current	Voltage	Terminal	Contacts	Frames
HMN	HMN3/4	3/4	40/10A	830 V	crimp	CMM/F&DMM/F(40A) CDM/F&DDM/F(10A)	H10AN-T1 H6BN-T2 H10BN-T3 H16BN-T4 H24BN-T6
	HMN-005	5	16A	400 V	spring		
	HMN-006	6	16A	500 V	crimp	CEM/F&DEM/F(16A)	
	HMN-006-P	6	16A	830 V	crimp	CEM/F&DEM/F(16A)	
	HMN-008	8	16A	400 V	crimp	CEM/F&DEM/F(16A)	
	HMN-012	12	10A	250 V	crimp	CDM/F&DDM/F(10A)	
	HMN-017	17	10A	160 V	crimp	CDM/F&DDM/F(10A)	
	HMN-020	20	16A	500 V	crimp	CEM/F&DEM/F(16A)	
	HMN-025	25	5 A	50 V	crimp	CAM/F&DAM/F(5A)	
	HMN-004-SC	4	-	-	optical interface	-	
	HMN-D-Sub	9	5A	50 V	D-Sub	CAM/F&DAM/F(5A)	
	HMN-RJ45	-	-	-	RJ45	-	
	HMN-USB	-	-	-	USB	-	
	HMN-PA2	2	-	-		-	
	HMN-PA3	3	-	-		-	
	PENU-PA2-6.0	1	-	-	pneumatic	-	
	PENU-PA3-1.6	1	-	-	pneumatic	-	
	PENU-PA3-3.0	1	-	-	pneumatic	-	
	PENU-PA3-4.0	1	-	-	pneumatic	-	
	HMN-Q2	2	-	-	shielding	-	
	Quintax-004	4	10A	50V	crimp	CDM/F&DDM/F(10A)	
Quintax-001	1	16A	50V	crimp	CEM/F&DEM/F(16A)		
Quintax-008	8	5A	50V	crimp	CAM/F&DAM/F(5A)		
HMN-DM	-	-	-	blank	-		
Insert	Type	Module units					Shells
Frame	HNM-1	1					-
	H10AN-T1	1					H10A
	H6BN-T2	2					H6B
	H10BN-T3	3					H10B
	H16BN-T4	4					H16B
	H24BN-T6	6					H24B

Selection guide

When selecting heavy duty connector, we need to choose as following:



Selection guide

When selecting heavy duty connector , we need to choose as following:

