

The Avago Advantage



Applications Solutions

Avago Technologies Solutions for **Automotive Lighting & Signaling Applications**



Your Imagination, Our Innovation
Sense • Illuminate • Connect

Avago Technologies Solutions for **Automotive Lighting & Signaling Applications**

Avago Technologies makes a wide range of lighting products that can be used in both exterior automotive signaling and illumination applications as well as interior lighting and display backlighting applications with support for both through-hole and surface mount packaging and the ability to support different environmental conditions.



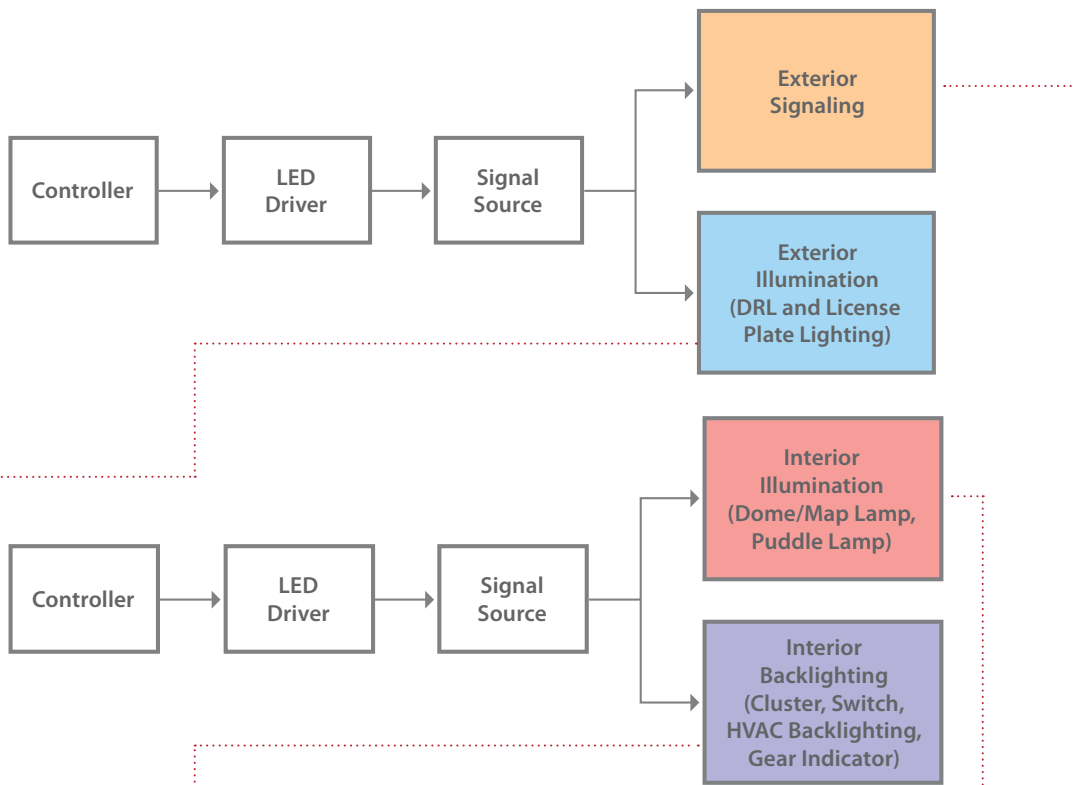
Exterior Lighting

Products from Avago Technologies can be used in a number of exterior automotive lighting applications such as CHMSL, rear combination light, number plate light, and turn signal.

The Super 0.5W White PLCC-4 SMT LEDs are the latest extension to our White PLCC-4 packages. In addition to higher flux output, the Super 0.5W White PLCC-4 is designed to work under a wide range of environmental conditions, with reliable and stable performance. The structure and materials used for Super 0.5W White PLCC-4 have been developed to ensure minimal degradation and hence provide consistent performance throughout the product life time.

Super 0.5W PLCC-4 LEDs Series

- Super 0.5W cool white PLCC-4 surface mount LED indicator
- Super 0.5W warm white PLCC-4 surface mount LED indicator



Signaling

This family of SMT LEDs comes in the industry standard PLCC-4 package with additional heat sinking capability enabling it to be driven at even higher current. These SMT LEDs have high brightness, a wide viewing angle, and are designed to work under a wide range of environmental conditions. This high reliability feature makes them ideally suited to be used under exterior and interior full color automotive signaling applications.

PLCC-4 LEDs Mono Color Series

- Surface mount LED indicator

PLCC-4 with Lens LEDs Mono Color Series

- 30° lens PLCC-4 surface mount LED indicator

Envisium Series

- Envisium power PLCC-4 surface mount LED

Super 0.5W Series

- Super 0.5W power PLCC-4 surface mount LED

Interior Backlighting

Avago offers surface mount LEDs that give designers a wide selection of brightness and color in high reliability and robust packaging and at a competitive price.

Featured Products

PLCC-2 & PLCC-4 SMT LEDs

Mono Color Series

- PLCC-2, flat top
- PLCC-4, flat top
- PLCC-4, 30° lens
- PLCC-4, 50° lens
- Long-life white PLCC-4 surface mount LED indicator

Mini PLCC-2 SMT LEDs

- PLCC2, mini, blue
- PLCC2, mini, green
- PLCC2, mini, white



Interior Lighting

Avago Technologies offers a wide range of LEDs for interior lighting and indication. Products that address this application include multi-color and standard packaging compliant (PLCC-2/4) surface mount lamps, as well as ambient light sensors.

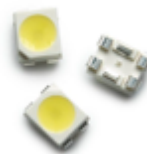
Interior Illumination

The Super 0.5W Power PLCC-4 Series of LEDs offers a small form factor (3.2 x 2.8 x 1.9mm) with industry-standard PLCC-4 platform for ease of assembly. They are MSL 2 qualified and deliver high optical efficiency at competitive pricing. The high reliability packages utilize enhanced silicone resin material and deliver longer life times with minimum degradation. They have high intensity brightness with optimum flux performance using InGaN & AlInGaP chip technologies, and have good heat sink features that enable the use of normal PCB board as heat dissipation path thus reduce system cost.

Featured Products

Super 0.5W PLCC-4 LEDs series

- Super 0.5W cool white PLCC-4 surface mount LED indicator
- Super 0.5W warm white PLCC-4 surface mount LED indicator



Your Imagination. Our Innovation



Avago Technologies is a leading designer, developer and global supplier of a broad range of analog, mixed signal and optoelectronics components and subsystems with a focus in III-V compound semiconductor design and processing. Backed by an extensive portfolio of intellectual property, Avago products serve three primary target markets: wireless communications, wired infrastructure, and industrial and other. Avago has a global employee presence and heritage of technical innovation dating back 50 years to its Hewlett-Packard roots.

Avago products serve three diverse end markets

Wireless Communications serving the smartphone/handset and Base Station infrastructure markets with leading-edge products that include:

- Power Amplifiers
- Front End Modules
- Film Bulk Acoustic Resonator (FBAR) Filters
- GPS/GLONASS LNAs
- Optical Finger Navigation
- LED Backlighting, Screen Illumination
- Ambient Light and Proximity Sensors

Wired Infrastructure for switches/routers, data centers, supercomputers and storage/servers with products that include:

- 168Gb Parallel Optic Arrays
- 28Gb SerDes ASICs in 28nm
- Storage Fibre Channel Transceivers
- QSFP+/SFP+ Ethernet Transceivers

Industrial and Other for alternative energy power generation, electronic sign and signals, automated manufacturing, automotive lighting, GPS/GLONASS navigation, motor inverter system, battery charging and management, infotainment systems and vehicle safety systems with products that include:

- Inverters
- Isolation and Digital Optocouplers
- Motion Control Optical & Magnetic Encoders
- Polymer Optical Fiber
- Indicator and Display LEDs



Contact us for your design needs at: www.avagotech.com

Avago, Avago Technologies, and the A logo are trademarks of Avago Technologies in the United States and other countries. Data subject to change. Copyright © 2013 Avago Technologies
AV00-0201EN 9/23/13